

PT630



Display size
10"-29"



Max load
50lb (23kg)

PARAMOUNT™ Tilting Wall Mount

FOR 10" TO 29" DISPLAYS

The Paramount™ series wall mounts provide versatile and multi-functional features. With PT630, a low-profile design positions the display just 2.01" (51mm) from the wall. The Hook-and-Hang™ system offers easy, one-person installation of the display. A ratcheting handle provides locking tilt capability for quick adjustments to the amount of tilt, reducing glare and optimizing the viewing angle.

The PT630's adjustable viewing feature provides 15° of forward tilt and 5° backward tilt, creating the most optimal viewing angle.



Additional Features

- ✓ Adjustable 15° forward tilt and 5° backward tilt for finding the optimal viewing angle
- ✓ Tilt angle locks into place with simple tightening of handle
- ✓ Display is positioned only 2.01" (51mm) from wall for a low-profile application
- ✓ Includes all necessary wall and display attachment hardware
- ✓ VESA® 75 and 100mm display mounting hole patterns
- ✓ Design is UL listed and tested to four times stated load capacity

HOOK-AND-HANG INSTALLATION

Display is easily installed by a single person



VESA® COMPATIBLE

Accommodates 75 and 100mm mounting patterns

LOCKING TILT

Lock the display at any angle with the ratcheting handle

FLEXIBLE MOUNTING LOCATIONS

Mounts to wood stud, concrete, cinder or breeze block



15°/-5° of tilt for versatile viewing angles



Comes in color packaging with included installation hardware and easy to follow instructions.



PT630	Paramount™ Tilting Wall Mount for 10" to 29" Displays
--------------	---

Product Specifications

	DIMENSIONS (W x H x D)	PRODUCT WEIGHT	LOAD CAPACITY	FINISH	AVAILABLE COLORS
PT630	5.43" x 4.50" x 2.01"-2.98" (138 x 114 x 51-76mm)	0.90lb (0.41kg)	50lb (23kg)	Scratch resistant fused epoxy	Gloss black

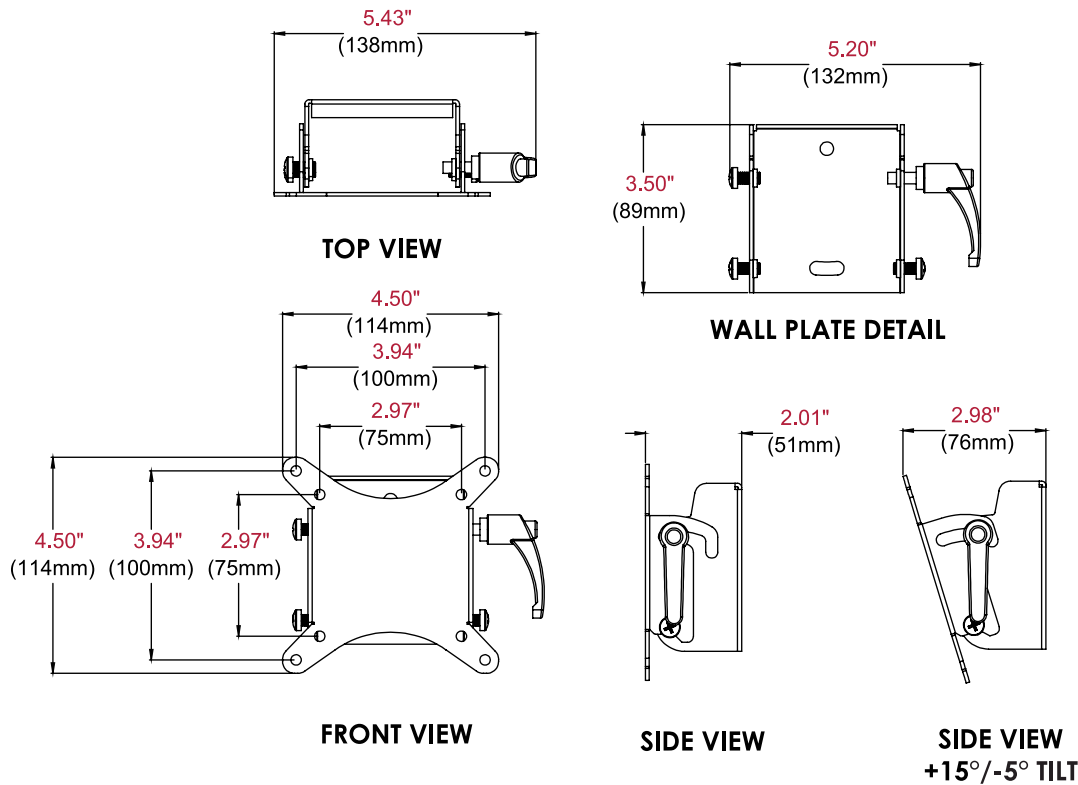
Package Specifications

	PACKAGE SIZE (W x H x D)	PACKAGE SHIP WEIGHT	PACKAGE UPC CODE	PACKAGE CONTENTS	UNITS IN PACKAGE
PT630	5.51" x 2.60" x 7.24" (140 x 66 x 184mm)	1.45lb (0.66kg)	735029252320	Wall mount, wall and display installation hardware, installation instructions	1

Accessories

ACC215: Metal Stud Fastener Kit

All dimensions = inch (mm)



Architect Specifications

The Paramount™ Tilting Wall Mount shall be a Peerless-AV model PT630 and shall be located where indicated on the plans. Assembly and installation shall be done according to instructions provided by the manufacturer.

Visit peerless-av.com to see the complete line of AV solutions from Peerless-AV, including outdoor displays, wireless, kiosks, digital audio, display mounts, projector mounts, carts/stands, and a full assortment of accessories.

Peerless-AV
2300 White Oak Circle
Aurora, IL 60502 USA
(800) 865-2112
(630) 375-5100
Fax: (800) 359-6500

Peerless-AV Europe
Unit 3 Watford Interchange
Colonial Way, Watford
Herts, WD24 4WP
United Kingdom
+44 (0) 1923 200100
Fax: +44 (0) 1923 200101

Peerless-AV de México
Ave de las Industrias 413
Parque Industrial Escobedo
Escobedo, N.L.,
Mexico 66050
+52 (81) 8384-8300
Fax: +52 (81) 8384-8360

